

**ROCKFORD  
MANUFACTURING GROUP INC.**  
11865 MAIN STREET  
ROSCOE, ILLINOIS 61073 • 815/623-2127



# Input Shaft Assemblies

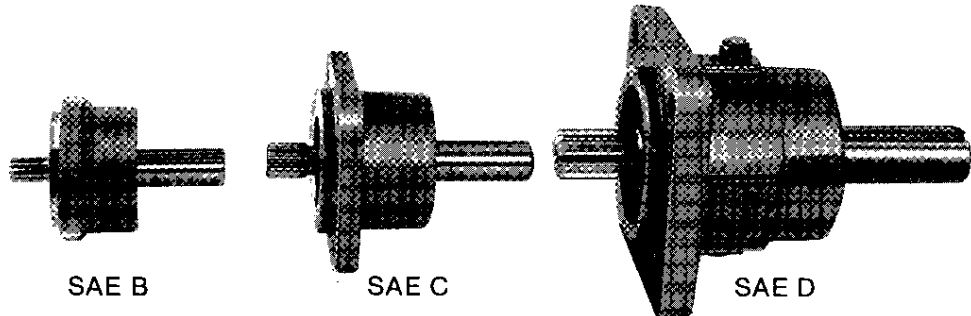
F-165-2

REVISED 4/1/84

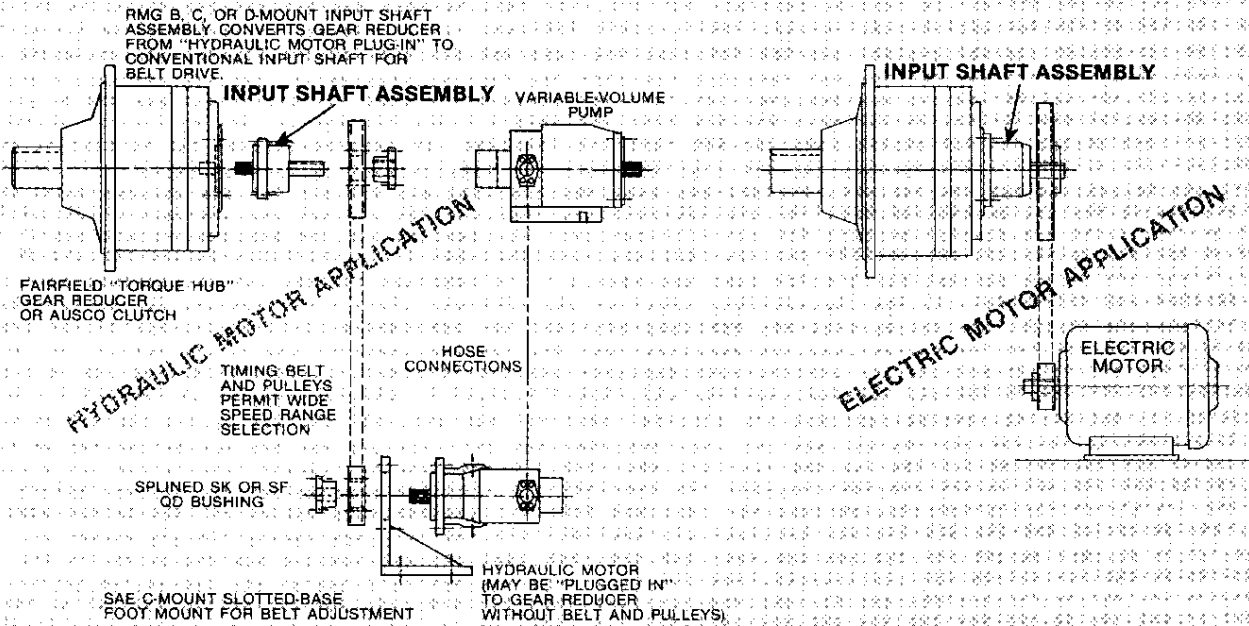
Furnished with pre-heat-treated 4140 shafting, these input shaft assemblies are primarily intended to:

1. Permit easy adaptation of standard electric motors to gear reducers and clutches which normally interface only with hydraulic motors.
2. Permit the adaptation of belts and pulleys (instead of direct "plug in" hydraulic motors).

The use of belts and pulleys (on either hydraulic motors or electric motors) with Fairfield Torque Hubs or Ausco clutches can often solve space problems. Additionally, by being able to belt drive the transmission equipment, it is possible to enjoy a wider selection of reduction ratios, speed values, and service factors.



Material certification furnished on request.



Most Fairfield and Ausco transmission equipment is installed with the axis horizontal. When this equipment is installed with the axis VERTICAL and the input shaft assembly ABOVE the gear reducer or clutch, special provisions must be made for lubrication. Contact RMG factory office for details.

**Table 1 CONDENSED SPECIFICATIONS AND DISTRIBUTOR LIST PRICES**

MOUNT	ASSEMBLY NUMBER	SPLINE	INPUT SHAFT DIA.	NET WEIGHT	DISTRIBUTOR LIST PRICE—FOB ROCKFORD, ILLINOIS					
					1 ONLY	2-4	5-9	10-24	25-49	50+
SAE B	CD-159	13 TEETH 16/32 PITCH	1.375" 5/16 KEY	11.5 lb	\$ 260	\$230	\$210	\$190	\$180	POA
SAE C	CD-266	14 TEETH 12/24 PITCH	1.500" 3/8 KEY	19.0 lb	\$ 320 \$ 470	\$290 \$440	\$260 \$410	\$230 \$390	\$220 \$380	POA POA
SAE D	DD-1311	13 TEETH 8/16 PITCH	2.000" 1/2 KEY	52.5 lb	\$1010 \$1100	\$910 \$990	\$830 \$900	\$760 \$820	\$700 \$760	POA POA

1. BOLD FACE LIST PRICES APPLY TO STOCK SUPER-STANDARD ASSEMBLIES WHICH USE NEW DEPARTURE BALL BEARINGS LISTED IN TABLE 3 AND WHICH PROVIDE THE OVERHUNG LOAD RATINGS LISTED IN TABLE 3.
2. Light face list prices apply to non-stock assemblies which use spherical roller bearings offering higher overhung load ratings. See footnote under Table 3.
3. Gaskets for B and C Mount: \$2.00 LIST each; for D Mount: \$4.00 each.
4. ALL PRICES SUBJECT TO PREVAILING TRADE DISCOUNT OR PRICE MULTIPLIER.